

ROHS COMPLIANT

2.54mm Female Header Single Row Angle Type(W=2.5 H=8.5)

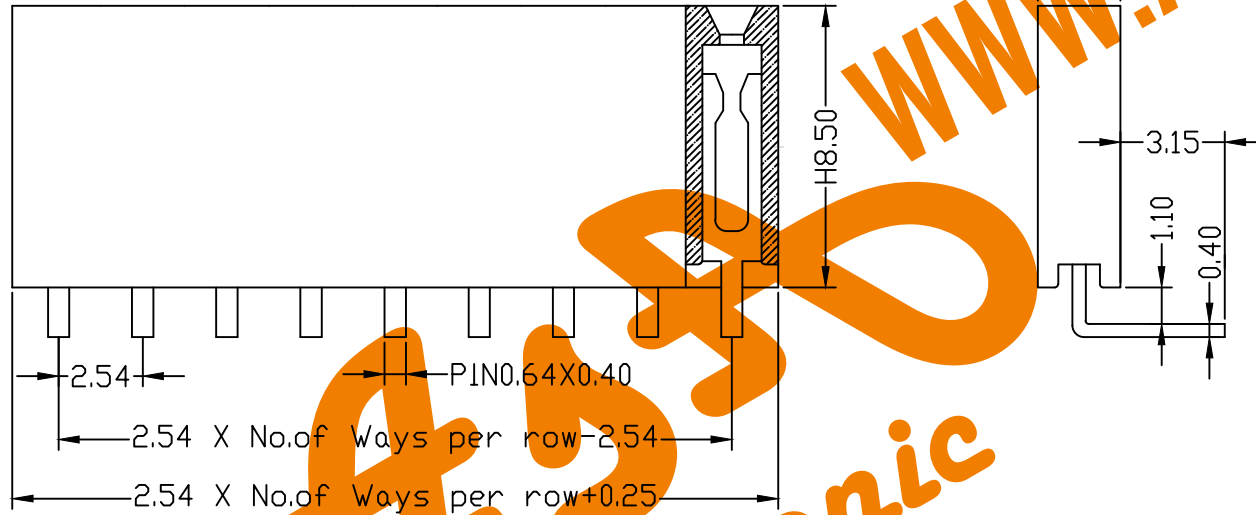
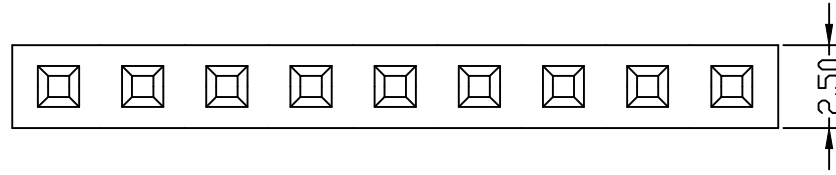
SPECIFICATION

Current Rating: 3.0 Amp
 Insulation Resistance: 5000M ohms min
 Contact Resistance: 20M ohms max
 Dielectric Withstanding: AC500V
 Operating Temperature: -65°C to +125°C
 Contact Material: Brass
 Insulator Material: PBT,UL 94V-0 Black

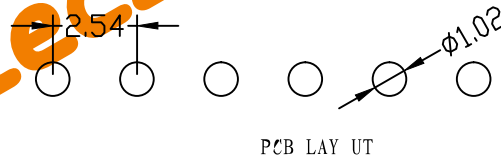
Ordering Code:

FHER03 - X - X - S - X - X - X
 ① ② ③ ④ ⑤ ⑥ ⑦

- ① Series No:
- ② No. of Contacts 01 To 40
- ③ Contact Plating
 G0: Gold flash
 G1: 3u" Gold
 G2: 5u" Gold
 G3: 10u" Gold
 G4: 15u" Gold
 G5: 30u" Gold
 SN: Tin
- ④ Connector Type
 S: Single
- ⑤ Plastic High:
 H: 8.5
 Please mark the desired length in the H
- ⑥ Insulator Material
 A: PBT
 B: PA6T
 C: LCP
 D: PA46
- ⑦ Packing
 A: Tray
 T: Tube



ASA Electronic



Unless otherwise specified tolerance
 X: ±0.35
 X.X: ±0.25
 X.XX: ±0.20
 X.XXX: ±0.15


WWW.ASA-Elec.com
ASA Electronic Co.
 Tel : (+98) 21 66 73 56 82 Mob : (+98) 912 03 161 02

SCALE: As Shown
 UNIT: mm

DRAWN junf n H

CHECKED YANG

10/8/1
 DATE



TITLE:
 2.54mm Female Header Single Row Angle Type H:8.5
 DRAWING NO: FHER03-XXSXXX
 PRODUCT NO: FHER03-XXSXXX

REV							
-----	--	--	--	--	--	--	--